

# END CAP / END OUTLET FOR TRENCH DRAIN

» 865 SERIES

FastTrack™

## SPECIFICATION

Sioux Chief 865 Series end cap and end outlet shall be used where necessary with FastTrack trench drain channels. Cap/outlet shall be HDPE material and attach to end of trench drain system.

## MATERIALS

HDPE

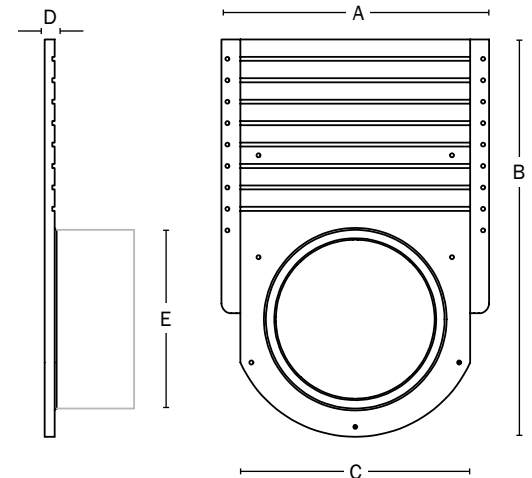
## INSTALLATION

Cap/outlet fittings must be installed before slab pour. If end outlet is used, open with hole saw. Align with bottom of channel (trim sides when installing into grooved joint end of drain). Apply sealant if desired and attach to end of trench drain channel using screws (provided). Trim top flush with construction cover or grate. If using end outlet, be sure to allow for sufficient slab thickness above the outlet and pipe.

## DIMENSIONS

<b>A:</b> Overall width	6.625"
<b>B:</b> Overall height	10.0"
<b>C:</b> Inside width	5.79"
<b>D:</b> Thickness	0.25"
<b>E:</b> Outlet	4" No-Hub (outlet fitting only)

ITEM # SUBMITTED	_____
JOB NAME	_____
LOCATION	_____
ENGINEER	_____
CONTRACTOR	_____
PO#	_____ TAG _____



Create Item Number

**865-A**

e.g. 865-E0: 4" No-Hub end outlet fitting for FastTrack trench drain

**FITTING TYPE A**  
**EC** = Flat end cap  
**E0** = End outlet - 4" No-Hub